

# LIVE

# BLAM

FRENCH SOUND

Driven by passion.

## LFR 52

### High resolution speaker

- Full-range driver 2" (50mm)
- Max. power: 50 W / Nom. power: 25 W
- Frequency response 200 Hz - 45 KHz
- Impedance 4 Ohms

Die cast aluminium basket - Aluminium cone - Rubber surround - Long life "Nomex" damper - 20.4 mm (0.8") voice coil with aluminium former - 40 mm x 6 mm (1.6" x 0.236") neodymium magnet

Optimized for sealed enclosure volume from 250 mL to 500 mL  
Minimal required cut off frequency : 250 Hz 12 dB/octave

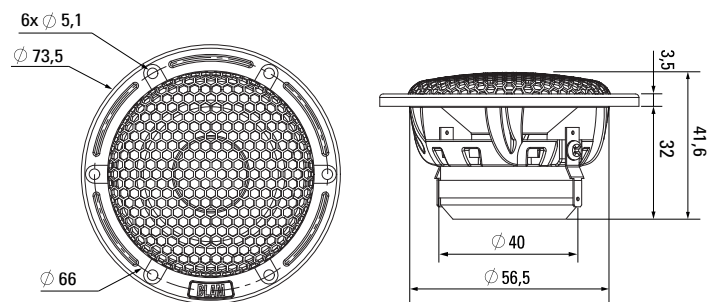
T-Yoke equipped with a faraday copper ring which limits the creation of Foucault currents

#### TECHNICAL SPECIFICATIONS

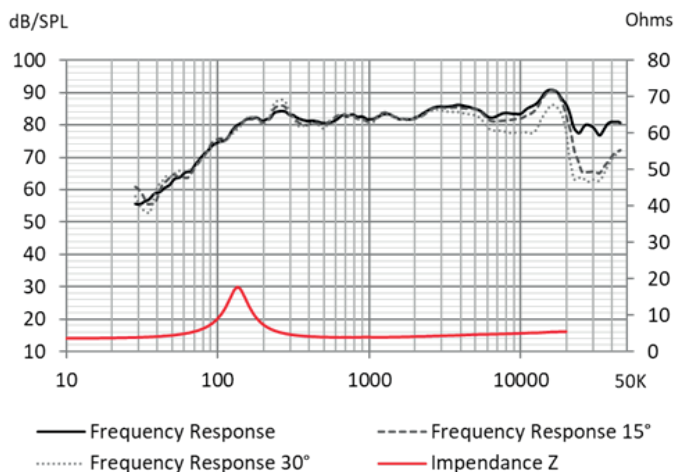
Component	Full-range	
Max power	50 W	
Nominal power	25 W	
Impedance	4 Ω	
Freq. Response	200 Hz - 45 KHz	
Sensitivity (2,83V/1m)	86 dB	
Magnet	Neodymium	
Magnet size Ø x h	40 x 6 mm	1.575" x 0.236"
Total driver displacement	0.3 l	0.011 cf
Weight of one component	0.165 kg	0.364 lb
Voice coil Ø	20 mm	0.803"
Voice coil height	3.5 mm	0.138"
Cone	Aluminum	



Unit in mm



#### FREQUENCY RESPONSE / IMPEDANCE



#### THIELE-SMALL PARAMETERS

effective Ø (d)	47 mm
Sd	17.35 cm <sup>2</sup>
Xmax	-1 mm
Re	3,72 Ω
Fs	135.88 Hz
Le	16.13 μH @1 kHz
L2	68.02 μH @10 kHz
Vas	0.39 L
Mms	1.50 g
Cms	0.916015 m/N
BL	2.41 Tm
Qts	0.64
Qes	0.82
Qms	2.85
Sensitivity (dB/W/m)	82.6 dB

contact@blam-audio.fr  
www.facebook.com/blamaudio  
www.blam-audio.com